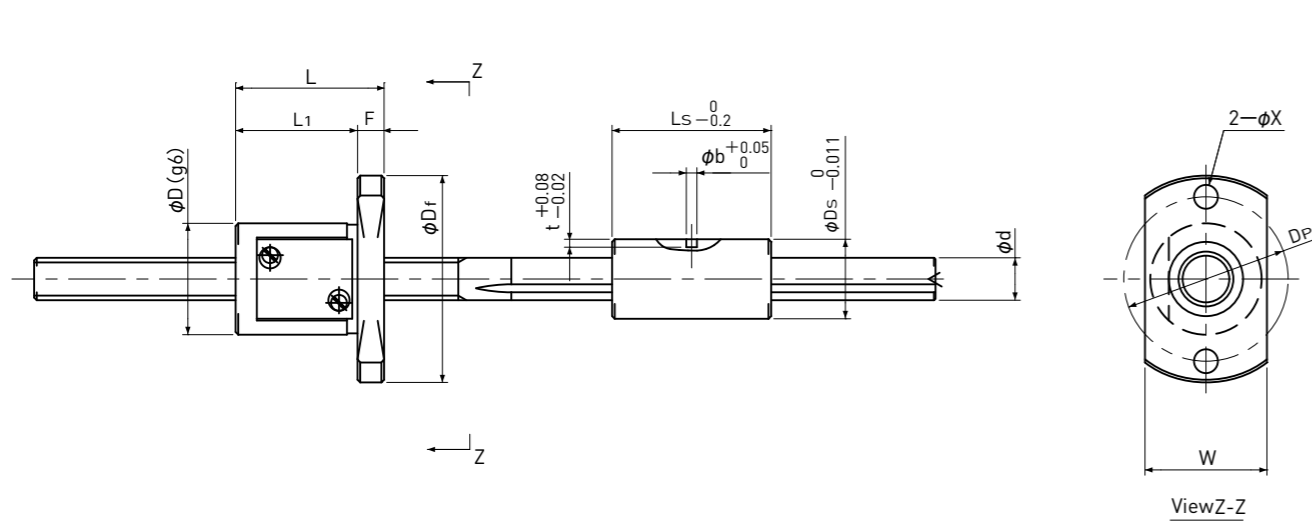
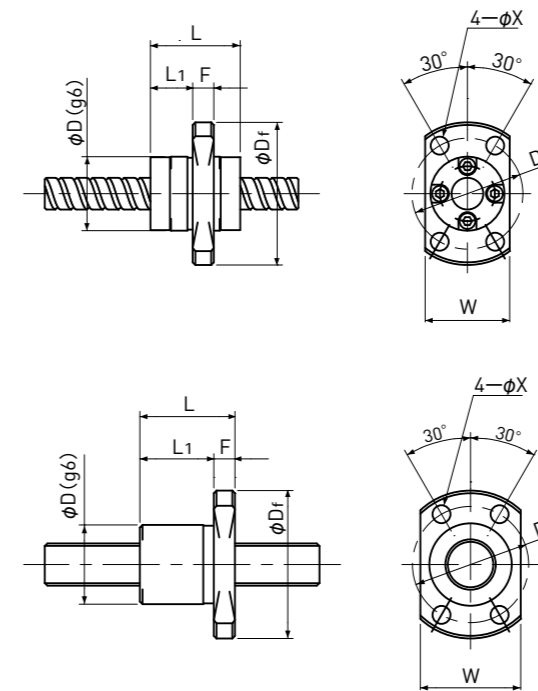


Separated type



Type-1 : Return-plate type (Ball Screw Nut)



Type-2 : End-cap type (Ball Screw Nut)

Type-3 : Internal-deflector type (Ball Screw Nut)

Unit:mm

Ball Nut Model number	Shaft nominal dia. d	Ball Screw part												Ball Spline part							Bore hollow	Shaft Inertia Kgmm ² /mm	Ball Nut Model number				
		Lead	Basic Load Rating (Reference)		Nut dimension										Basic Load Rating (Reference)		Basic Torque Rating (Reference)		Permissible Moment (Ref.) Mo Nm	Nut dimension							
			Ca	Coa	Nut type	Nut mass g	D	Dr	L	L1	F	W	Dp	Bolt Hole X	Cr	Cor	Ct	Cot		Nut mass g				OD. Ds	Length Ls	Pin hole	
			N	N																						b	t
BSSP 0602/06	6	2	(750)	(1200)	1	25	15	29	17	13	4	17	23	3.4	(860)	(1400)	(2.2)	(1.6)	(3.0)	14	12	27	1.5	1.2	2	9.99 × 10 ⁻¹⁰	BSSP 0602/06
BSSP 0606/06		6	(870)	(1450)	2	20	14	27	17	8	4	16	21	3.4													BSSP 0606/06
BSSP 0610/06		10	(950)	(1600)	2	20	14	27	23	11.5	4	16	21	3.4													BSSP 0610/06
BSSP 0802/08(1)	8	2	(850)	(1600)	1	25	16	30	17	13	4	18	24	3.4	(1200)	(1900)	(4.1)	(3.1)	(4.1)	22	15	30	2.0	1.5	3	31.6 × 10 ⁻¹⁰	BSSP 0802/08(1)
BSSP 0802/08(2)		2	(2400)	(4000)	1	60	20	38	24	19	5	22	30	4.5													BSSP 0802/08(2)
BSSP 0802/08(3)		2	(1300)	(2300)	3	25	15	28	18	14	4	17	22	3.4													BSSP 0802/08(3)
BSSP 0804/08		4	(2600)	(4200)	1	75	21	39	28	23	5	23	31	4.5													BSSP 0804/08
BSSP 0812/08		12	(2200)	(4000)	2	40	18	31	27	17	4	20	25	3.4													BSSP 0812/08

Note 1) Please note that Bore hollow is an option, not a standard.

In some cases Bore hollow is not available due to Shaft length.

Note 2) If special profile of Ball Screw Nut / Ball Spline Nut, please ask KSS representative.

Note 3) Basic Load Rating, Basic Torque Rating and Permissible Moment are theoretical number based on effective number of Balls. They may vary drastically depending on operating condition. Please consider them just reference.

Note 4) It is difficult to estimate theoretical life, because of combined products with Ball Spline which withstands Radial Load and Ball Screw for Axial Load. We would recommend that final decision should be based on your evaluation on actual machine or our experimental data.

Note 5) Maximum limit of Shaft length is 150mm (for φ6), 200mm (for φ8).

Please ask KSS in case of exceeding limit length.